

AURORALIGHT

PROJECT: _____

SKU #: _____

TYPE: _____

CYCLOPS

RDL060102

With its patented ball and socket design, featuring a tiny yet capable Cree LED™ powered light engine. The easily replaceable, self-contained ball fits into a precision machined socket for exceptional heat dissipation.

- Cree LED™ XLAMP® High Density (CXB1520) COB
- US Patent No: D863,607 S
- 4 Interchangeable PMMA Acrylic Optics from 15° to 40°
- Ideal for overhangs, broad trees, and architecture



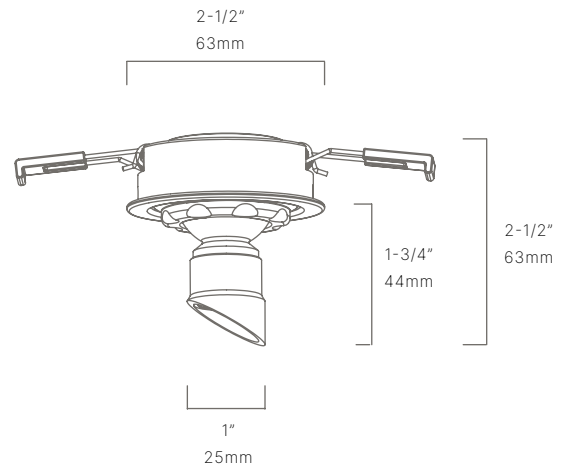
CONFIGURATOR:

RDL060102	LED	FINISH
	<input type="text"/>	<input type="text"/>
() = Most common configuration	(2703) 2700K 3W (3003) 3000K 3W	(NAT) Natural Brass (BLP) Bronze Living Patina (BLPX) Extra Dark BLP (NI) Nickel PVD

AVAILABLE FINISHES:



FIXTURE DIMENSIONS	H1-3/4" x D2-1/2"
LIGHT SOURCE	Integrated LED
COLOR TEMPERATURES	2700K, 3000K
WATTAGES	3W
CRI (RA)	80 CRI
VOLTAGE	12V
DELIVERED LUMENS	171lm (3000K 3W)
DIMMABLE	Yes, Dim to <10% via Transformer
DRIVER	Yes, 12V Integral Constant Current
TRANSFORMER	No, 12V AC/DC Transformer Required
MOUNT	Included Aluminum Torsion Springs
ACCESSORIES	Yes, Included 60° Glare Shield
OPTICS	Yes, Included 15°, 25° & 40°
FINISH	Included Natural Brass
MATERIAL	Brass
WIRE LENGTH	24"
LOCATION	Interior or Exterior Wet
CERTIFICATIONS	UL, IP66, IP67



*For complete warranty terms, please visit: www.auroralight.com/warranty/

P. 760.931.2910

O. 2742 Loker Ave. W Carlsbad CA 92010

W. www.auroralight.com

MADE IN USA
WITH DOMESTIC & IMPORTED MATERIALS



AURORALIGHT

PROJECT:

SKU #:

TYPE:

P. 760.931.2910

O. 2742 Loker Ave. W Carlsbad CA 92010

W. www.auroralight.com

MADE IN USA
WITH DOMESTIC & IMPORTED MATERIALS

